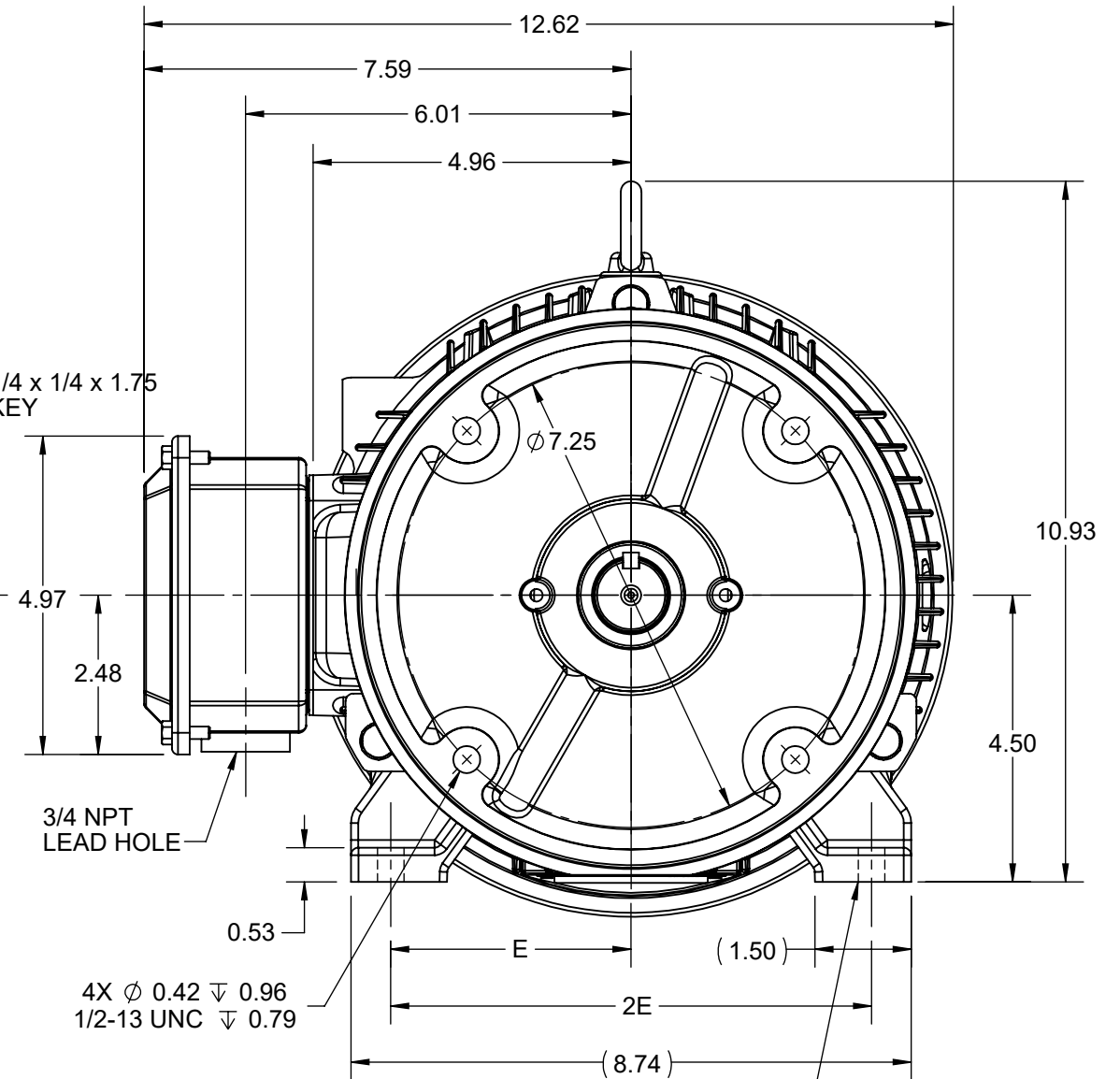
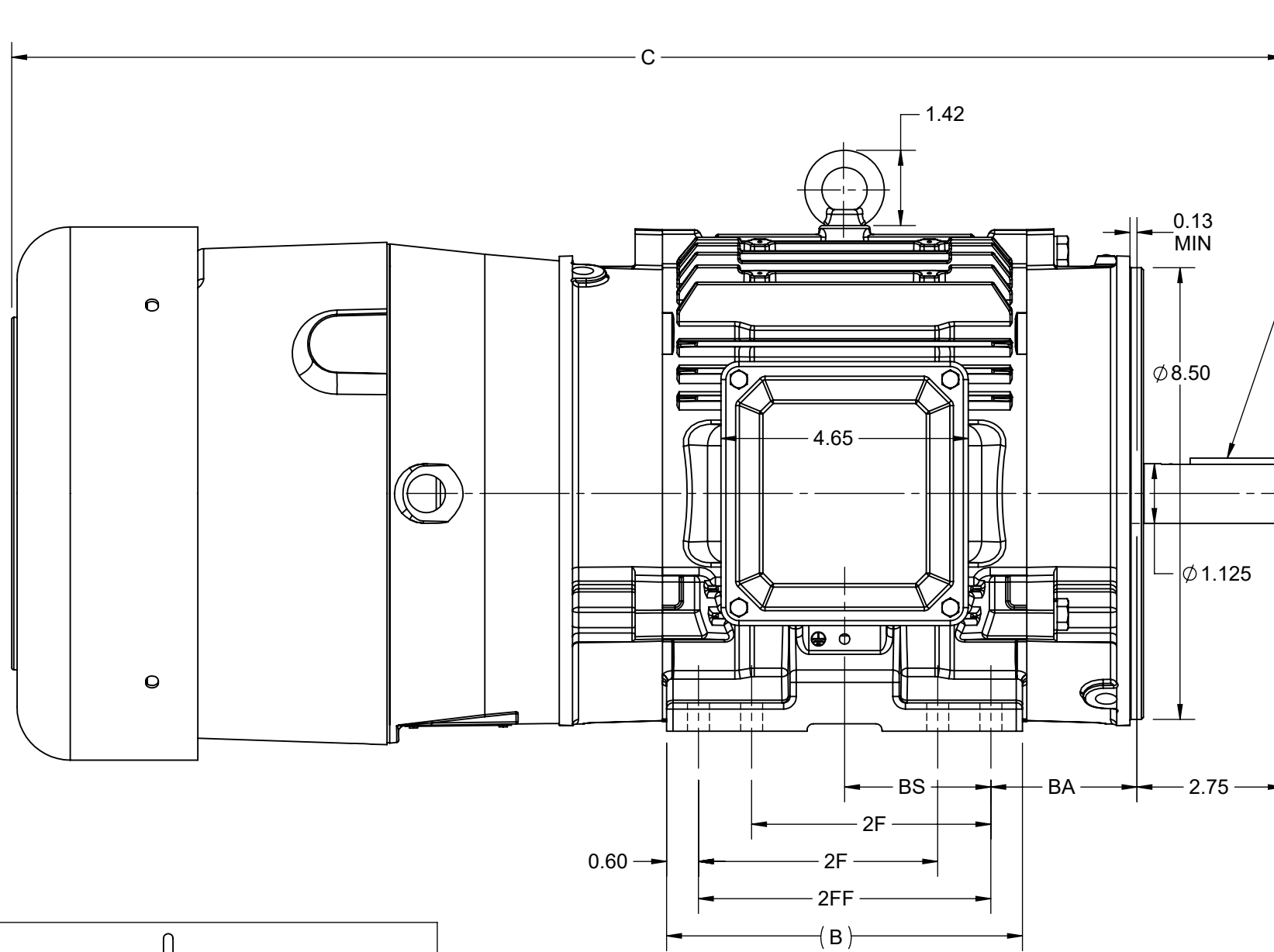
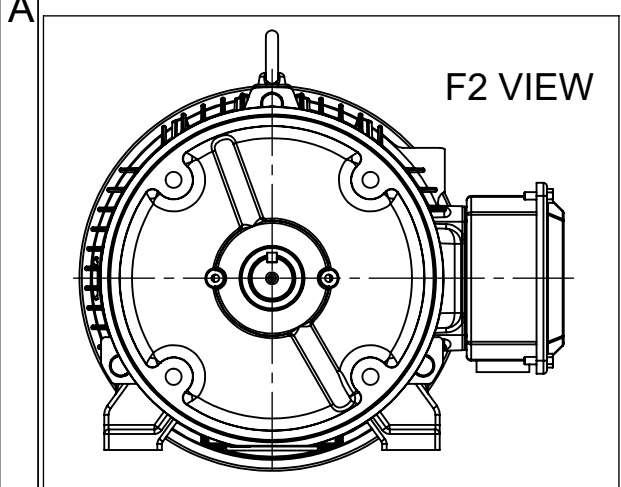


DASH NO.	4		3				2		1	
	B	C	E	2E	2F	2FF	BA	BS	MOUNTING	FRAME
100	5.67	22.91	3.75	7.50	-	4.50	2.75	2.35	F1 OR F2	182T
200	6.69	23.91			4.50	5.50		2.75		182/184T



Ø0.41 THRU  
8 HOLES  
(182 WILL HAVE ONLY 4 HOLES)



DRAWING REVISION	REVISION BY	REV DATE/© DATE
ECO	APPROVED BY	DATE
ECO DESCRIPTION		
<small>COPYRIGHT (PER REVISION DATE) REGAL BELOIT AMERICA, INC. ALL RIGHTS RESERVED. PROPRIETARY AND CONFIDENTIAL INFORMATION - THIS DOCUMENT IS THE PROPERTY OF REGAL BELOIT AMERICA, INC. ("OWNER") AND CONTAINS OWNER'S PROPRIETARY INFORMATION. ANY PERSON, CORPORATION OR OTHER FIRM RECEIVING IT IS DEEMED, BY RECEIVING IT, TO AGREE THAT IT, AND/OR ANY PART OF IT, SHALL NOT BE DISCLOSED TO ANY PERSON, CORPORATION OR OTHER ENTITY, DUPLICATED, AND/OR USED, EXCEPT AS EXPRESSLY APPROVED IN WRITING IN ADVANCE BY OWNER. THIS DOCUMENT SHALL BE RETURNED TO OWNER UPON REQUEST. IT MAY BE SUBJECT TO CERTAIN RESTRICTIONS UNDER APPLICABLE EXPORT CONTROL LAWS AND REGULATIONS.</small>		

PRIMARY DIMENSIONS ARE INCH  
mm DIMENSIONS IN [BRACKETS]  
ARE FOR REFERENCE ONLY

DRAWN BY	MJK
DATE	02-22-24
APPROVED BY	
DATE	
REFERENCE	
THIRD ANGLE PROJECTION	

Regal Beloit America, Inc.	
DESCRIPTION	
<b>OUTLINE</b>	
182/184T FR-NEMA TEFC CAST IRON C FACE	
MATERIAL	PROCESS/FINISH
SIZE	DRAWING NUMBER
<b>B</b>	<b>SS620855SKTC</b>
SHEET	1 OF 1